

Size 1* to 3, Flush end contact, 170M

1250 V a.c. (IEC), 1300 V a.c. (UL), 50 to 1400 A

Specifications

Description

Square body flush end contact high speed fuse links, for the protection of DC common bus, DC drives, power converters/rectifiers and reduced rated voltage starters.

Technical data

Rated voltage:

- 1250 V a.c. (IEC)
- 1300 V a.c. (UL)

Rated current: 50-1400 A

Breaking capacity: 100 kA RMS Sym.

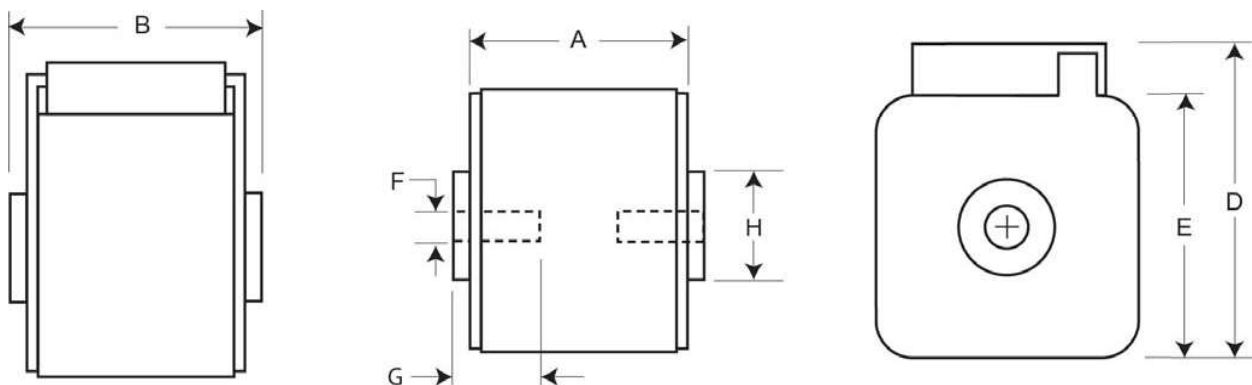
Operating class: aR

Standards / Agency information

CE, Designed and tested to IEC 60269 Part 4. Consult Eaton for UL Recognition/CSA Component Acceptance Status.



Dimensions - mm



Type -BKN/- and -GKN/-

Size	Type	A	B	D	E	F	F ¹ (in)	Min G	H
1*	BKN + GKN/75	74	75	59	45	M8	5/16" -18 UNC-2B	5	Ø17
1*	BKN/80	80	81	59	45	M8		5	Ø17
1	BKN + GKN/75	74	75	69	53	M8	5/16" -18 UNC-2B	8	Ø20
1	BKN/80	80	81	69	53	M8		8	Ø20
2	BKN + GKN/75	74	75	77	61	M10	3/8" -16 UNC-2B	10	Ø24
2	BKN/80	80	81	77	61	M10		10	Ø24
2	BKN + GKN/90	80	91	77	61	M10	3/8" -16 UNC-2B	10	Ø24
3	BKN + GKN/75	74	76	92	76	M12	1/2" -13 UNC-2B	10	Ø30
3	BKN/80	81	83	92	76	M12		10	Ø30
3	BKN + GKN/90	81	91	92	76	M12	1/2" -13 UNC-2B	10	Ø30

¹ Valid for fuses type -GKN/-.

Size 1* to 3, Flush end contact, 170M

1250 V a.c. (IEC), 1300 V a.c. (UL), 50 to 1400 A

Fuse link body size	Rated voltage	Rated current (Amps)	I ² t (A ² Sec)			Watts loss (W)	Catalogue numbers				
			Pre-arcing	Clearing at 1000 V a.c.	Clearing at 1250 V a.c.		-BKN/75 Type K indicator for micro	-BKN/80 Type K indicator for micro	-BKN/90 Type K Indicator for micro	-GKN/75 Type K Indicator for micro	-GKN/90 Type K Indicator for micro
1*	1250 V a.c. (IEC) 1300 V a.c. (UL)	50	135	815	1100	15	170M3388	170M3438		170M3488	
		63	215	1300	1750	20	170M3389	170M3439		170M3489	
		80	420	2500	3350	25	170M3390	170M3440		170M3490	
		100	750	4450	5950	30	170M3391	170M3441		170M3491	
		125	1450	9000	11,500	35	170M3392	170M3442		170M3492	
		160	2600	16,000	21,000	40	170M3393	170M3443		170M3493	
		200	5150	31,000	41,000	45	170M3394	170M3444		170M3494	
		250	9200	54,500	73,000	55	170M3395	170M3445		170M3495	
		315	18,500	115,000	150,000	60	170M3396	170M3446		170M3496	
		350	27,000	165,000	220,000	65	170M3397 ⁶	170M3447		170M3497	
1	1250 V a.c. (IEC) 1300 V a.c. (UL)	400	53,000	265,000	335,000	70		170M3448			
		160	1900	11,500	15,500	45	170M4388	170M4438		170M4488	
		200	3800	22,500	30,000	50	170M4389	170M4439		170M4489	
		250	7750	46,000	61,500	60	170M4390	170M4440		170M4490	
		315	15,000	90,000	120,000	65	170M4391	170M4441		170M4491	
		350	20,000	125,000	165,000	70	170M4392	170M4442		170M4492	
		400	29,500	175,000	235,000	75	170M4393	170M4443		170M4493	
		450	42,000	250,000	335,000	80	170M4394	170M4444		170M4494	
		500	69,500	340,000	435,000	85	170M4395 ⁴	170M4445		170M4495 ⁴	
		550	95,000	465,000	590,000	95	170M4396 ⁵	170M4446		170M4496 ⁵	
2	1250 V a.c. (IEC) 1300 V a.c. (UL)	630	130,000	660,000	N/A	110	170M4397 ⁵	170M4447 ⁴		170M4497 ⁵	
		250	6500	38,500	51,500	65	170M5388	170M5438		170M5588	
		280	9350	55,500	74,500	70	170M5389	170M5439		170M5589	
		315	13,000	77,500	105,000	75	170M5390	170M5440		170M5590	
		350	16,500	97,500	135,000	80	170M5391	170M5441		170M5591	
		400	23,000	140,000	180,000	85	170M5392	170M5442		170M5592	
		450	34,000	205,000	270,000	90	170M5393	170M5443		170M5593	
		500	48,000	285,000	380,000	95	170M5394	170M5444	170M5494	170M5594	170M5644
		550	62,000	370,000	495,000	100	170M5395	170M5445	170M5495	170M5595	170M5645
		630	115,000	575,000	730,000	120	170M5396 ⁴	170M5446	170M5496	170M5596 ⁴	170M5646
3	1250 V a.c. (IEC) 1300 V a.c. (UL)	700	160,000	795,000	1,050,000	125	170M5397 ⁵	170M5447 ¹	170M5497	170M5597 ⁵	170M5647
		800	245,000	1,200,000	1,550,000	130	170M5398 ⁵	170M5448 ²	170M5498	170M5598 ⁵	170M5648
		900	360,000	1,750,000	N/A	135			170M5499 ³		170M5649 ³
		1000	480,000	2,350,000	N/A	145			170M5500 ³		170M5650 ³
		315	9500	58,000	77,500	85	170M6338	170M6538		170M6588	
		350	13,500	81,500	110,000	90	170M6339	170M6539		170M6589	
		400	19,500	120,000	160,000	95	170M6340	170M6540		170M6590	
		450	31,000	185,000	245,000	100	170M6341	170M6541		170M6591	
		500	39,000	235,000	310,000	105	170M6342	170M6542		170M6592	
		550	55,000	325,000	435,000	110	170M6343	170M6543		170M6593	
3	1250 V a.c. (IEC) 1300 V a.c. (UL)	630	83,500	495,000	665,000	115	170M6344	170M6544	170M6494	170M6594	170M6644
		700	115,000	705,000	940,000	120	170M6345	170M6545	170M6495	170M6595	170M6645
		800	205,000	995,000	1,300,000	125	170M6346 ⁴	170M6546	170M6496	170M6596 ⁴	170M6646
		900	305,000	1,500,000	1,900,000	130	170M6347 ⁵	170M6547 ¹	170M6497	170M6597 ⁵	170M6647
		1000	450,000	2,150,000	2,750,000	135	170M6348 ⁵	170M6548 ¹	170M6498	170M6598 ⁵	170M6648
		1100	575,000	2,800,000	3,600,000	160	170M6349 ⁵	170M6549 ²	170M6499	170M6599 ⁵	170M6649
		1250	810,000	3,950,000	N/A	170			170M6500 ³		170M6650 ⁴
		1400	1,250,000	6,000,000	N/A	175			170M6501 ³		170M6651 ⁴

¹ Rated voltage 1100 V a.c. (IEC), 1000 V a.c. (UL).

² Rated voltage 1000 V a.c. (IEC and UL).

³ Rated voltage 1100 V a.c. (IEC and UL).

⁴ Rated voltage (IEC) 1100 V a.c.

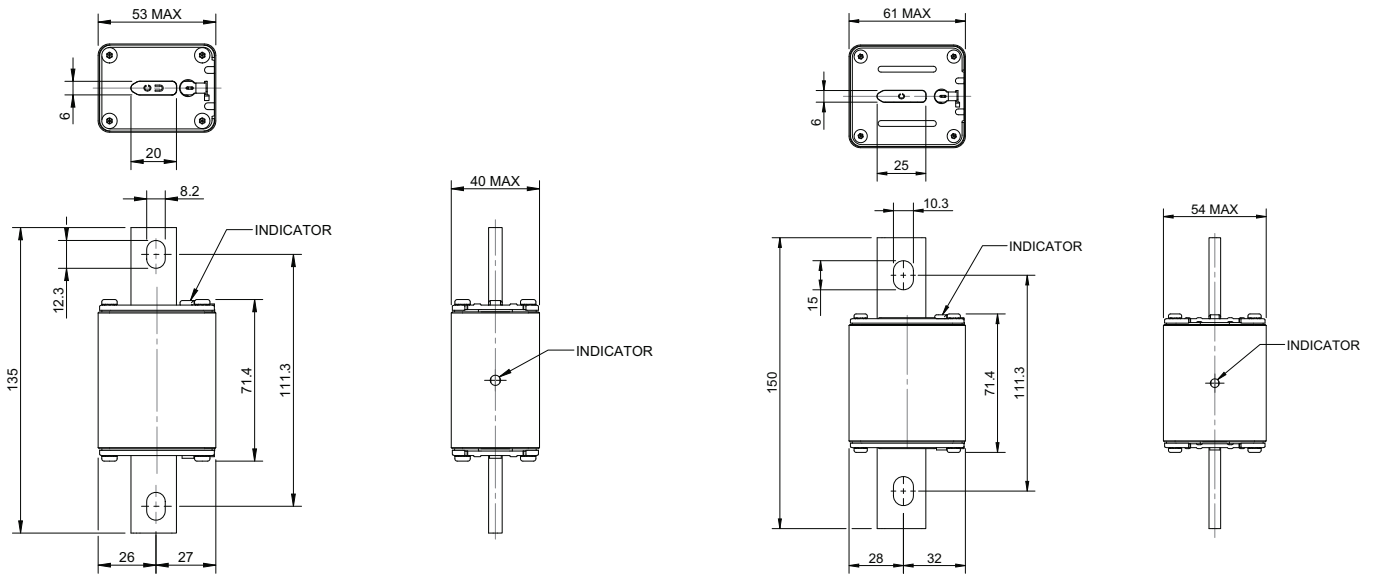
⁵ Rated voltage (IEC) 1000 V a.c.

⁶ Rated voltage please contact bulehighspeedtechnical@eaton.com

Table 2. Technical data - Blade with bolt holes

Catalogue numbers			Current rating (amps)	Energy integrals I ² t (A ² s)		Watts loss (w)	
With bolt holes	With bolt holes and lugs	Fuse size		Pre-arcing	Total at 1000 V	0.8I _n	I _n
PV-63ANH1-B	PV-63ANH1-BL	NH1	63	470	4300	6	12
PV-80ANH1-B	PV-80ANH1-BL	NH1	80	640	5760	8	15
PV-100ANH1-B	PV-100ANH1-BL	NH1	100	1300	11700	8	16
PV-125ANH1-B	PV-125ANH1-BL	NH1	125	2600	23400	9	17
PV-160ANH1-B	PV-160ANH1-BL	NH1	160	5200	46800	14	27
PV-200ANH1-B	PV-200ANH1-BL	NH1	200	10200	82000	13	25
PV-160ANH2-B	PV-160ANH2-BL	NH2	160	4600	37000	14	28
PV-200ANH2-B	PV-200ANH2-BL	NH2	200	9500	76000	16	32
PV-250ANH2-B	PV-250ANH2-BL	NH2	250	17000	136000	19	38
PV-315ANH3-B	PV-315ANH3-BL	NH3	315	32000	260000	26	44
PV-355ANH3-B	PV-355ANH3-BL	NH3	355	38000	310000	29	48
PV-400ANH3-B	PV-400ANH3-BL	NH3	400	61000	490000	32	50

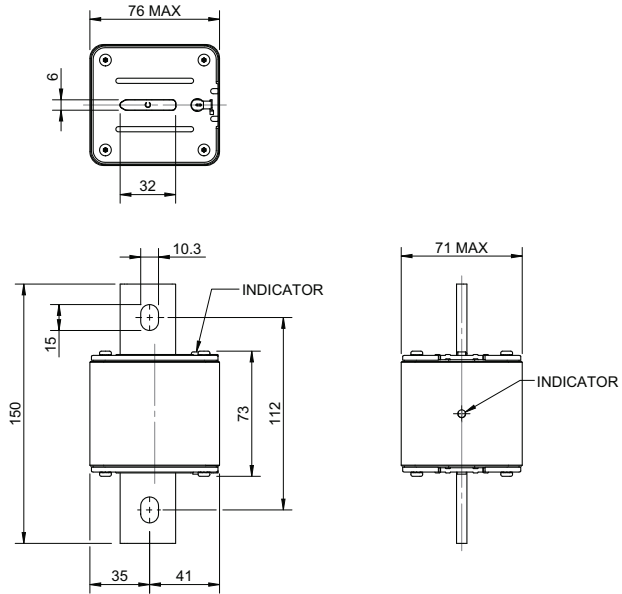
Dimensions - Blade with bolt holes - mm



NH size 1

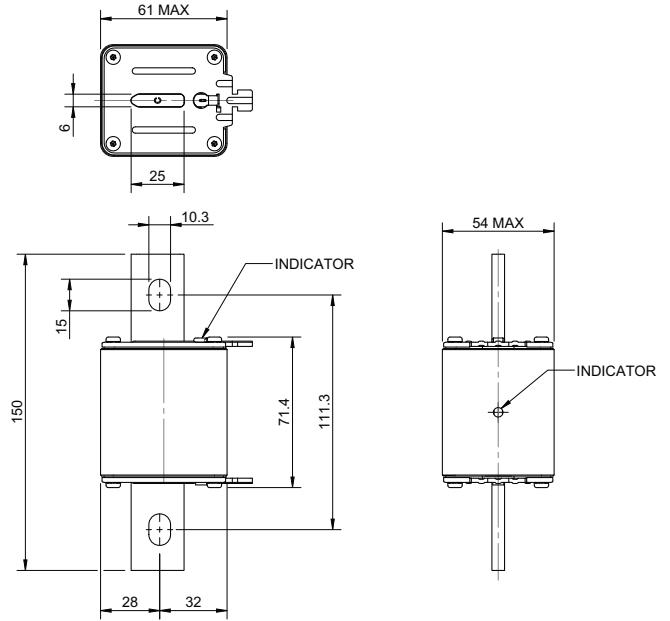
NH size 2

Dimensions - Blade with bolt holes - mm



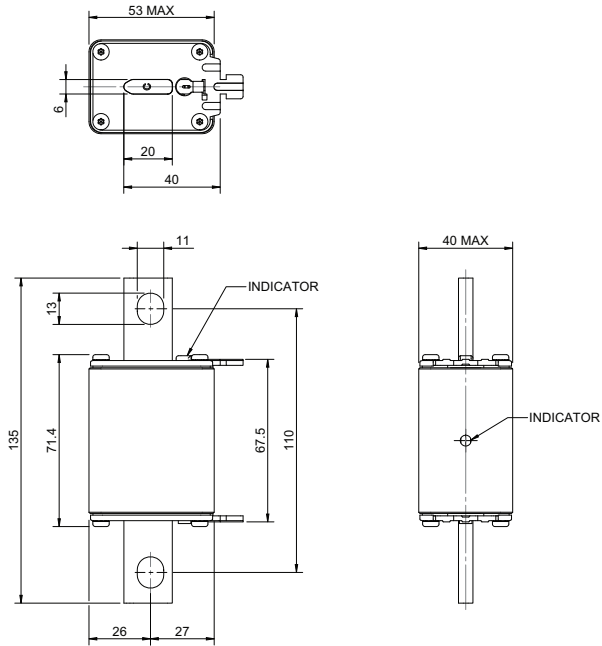
NH size 3

Dimensions - Blade with bolt holes and lugs - mm

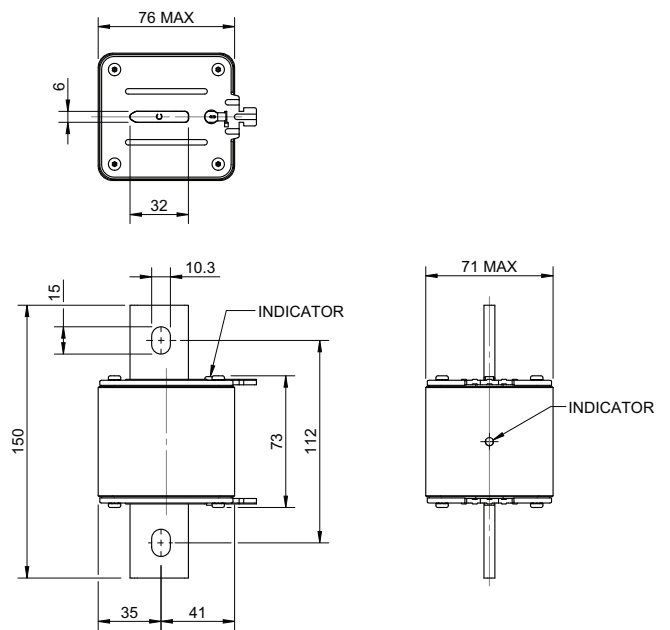


NH size 2

Dimensions - Blade with bolt holes and lugs - mm

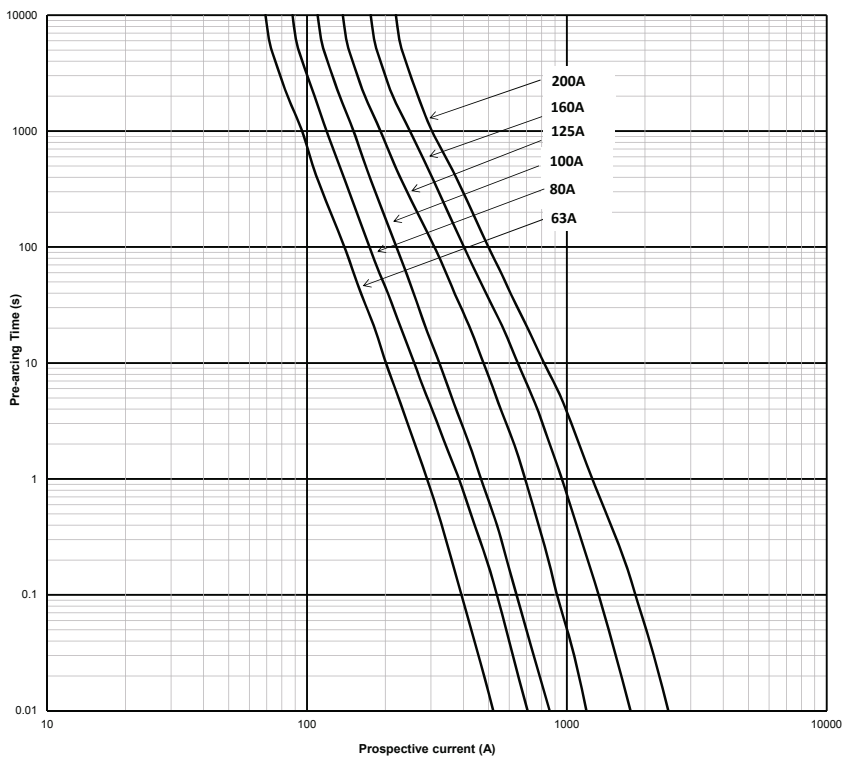


NH size 1

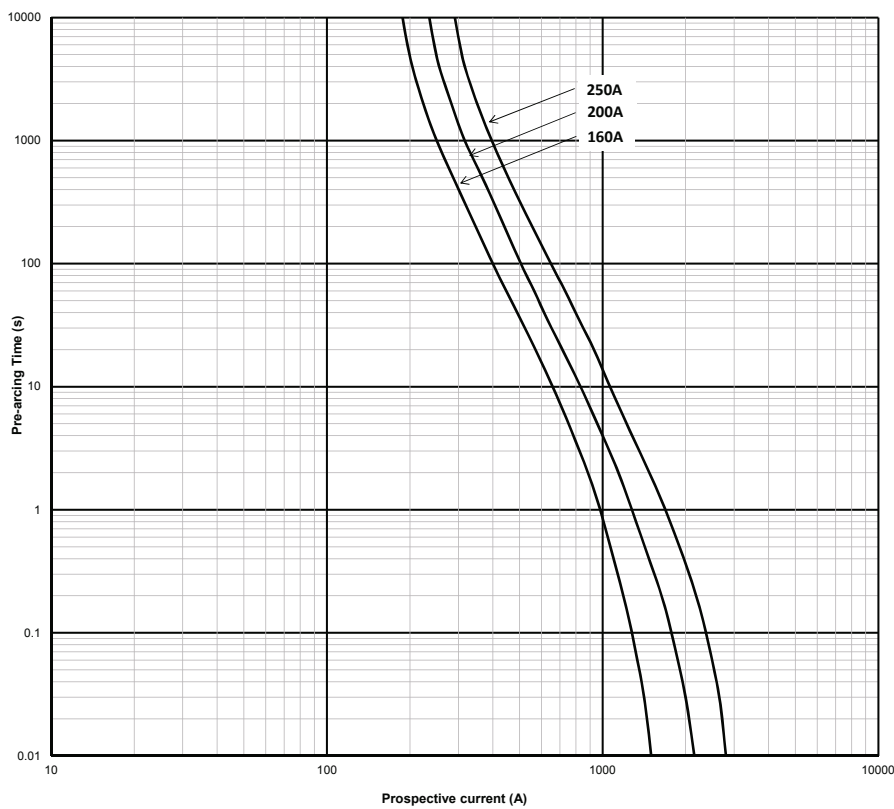


NH size 3

Time current-curve - Blade with bolt holes, with or without lugs

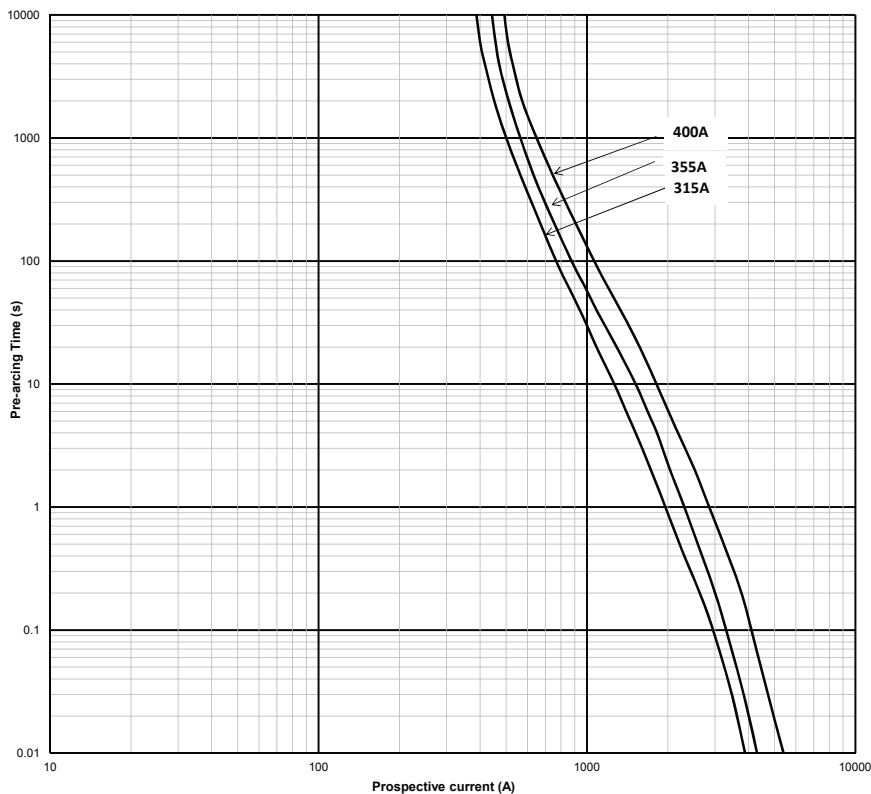


NH size 1



NH size 2

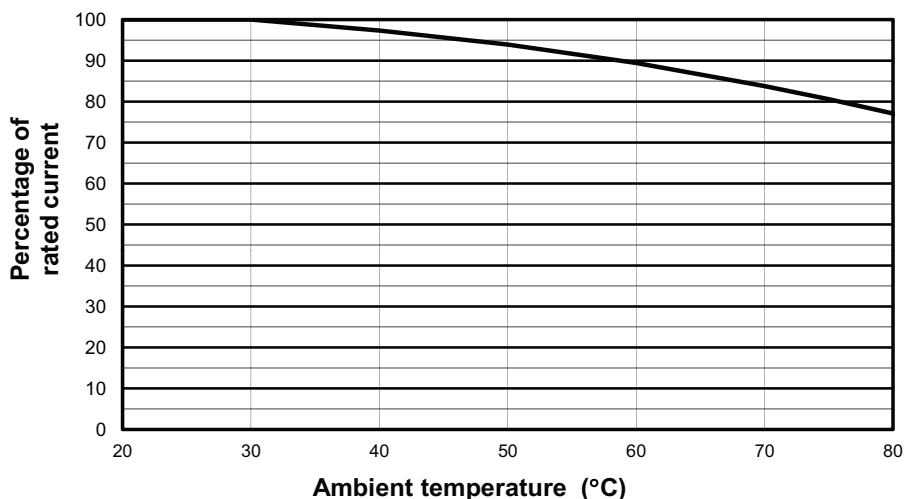
Time current-curve - Blade with bolt holes, with or without lugs



NH size 3

Temperature derating for blades without bolt holes, with bolt holes (with or without lugs)

PV Array fuse link derating with temperature



Changes to the products, to the information contained in this document, and to prices are reserved; so are errors and omissions. Only order confirmations and technical documentation by Eaton is binding. Photos and pictures also do not warrant a specific layout or functionality. Their use in whatever form is subject to prior approval by Eaton. The same applies to Trademarks (especially Eaton, Moeller, and Cutler-Hammer). The Terms and Conditions of Eaton apply, as referenced on Eaton Internet pages and Eaton order confirmations.

Eaton
 EMEA Headquarters
 Route de la Longeraie 7
 1110 Morges, Switzerland
 Eaton.eu

© 2015 Eaton
 All Rights Reserved
 Publication No. 720133
 February 2015



Eaton is a registered trademark.
 All other trademarks are property of their respective owners.

Size 1* to 3, DIN 43653, 170M

1250 V a.c. (IEC), 1300 V a.c. (UL), 50 to 1400 A

Specifications

Description

Square body DIN 43653 bolted tags high speed fuse links, for the protection of DC common bus, DC drives, power converters/rectifiers and reduced rated voltage starters.

Technical data

Rated voltage: see table opposite page

Rated current: 50-1400 A

Breaking capacity: 100 kA RMS Sym.

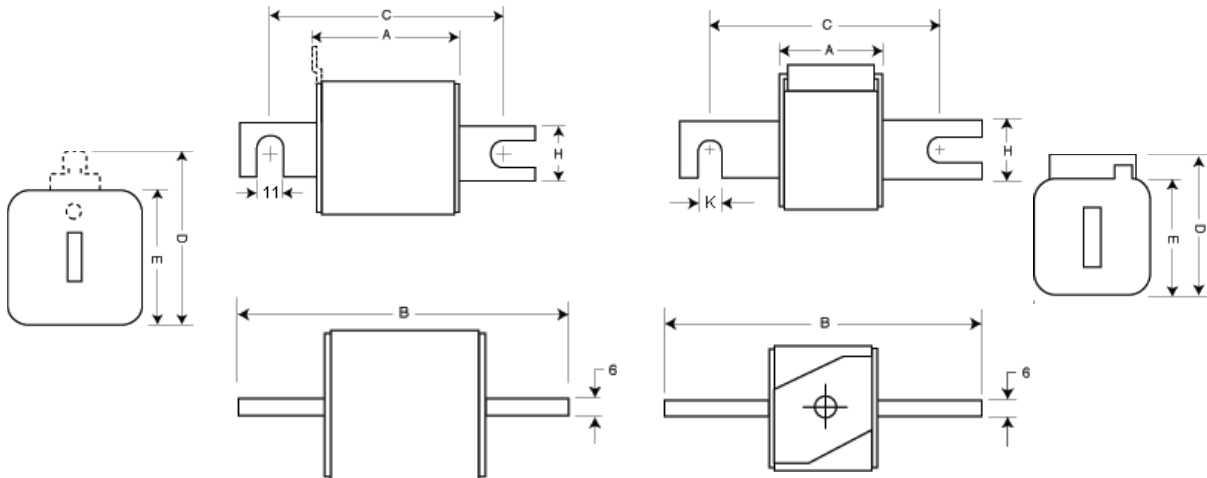
Operating class: aR

Standards / Agency information

CE, Designed and tested to IEC60269 Part 4. Consult Eaton for UL Recognition/CSA Component Acceptance status.



Dimensions - mm



Type-/110-TN/110

Size	A	B	C	D ¹	E	H	K
1*	80	138	108	58	45	20	11
1	80	138	108	66	53	25	11
2	80	138	108	75	61	25	11
3	81	139	108	90	76	30	11

¹ Clip on Microswitch valid for fuse links -TN//110.
1mm = 0.0394"

Type-KN/110

Size	A	B	C	D	E	H	K
1*	80	138	108	60	45	20	11
1	80	138	108	69	53	25	11
2	80	138	108	77	61	25	11
3	81	139	108	92	76	30	11

1mm = 0.0394"

Size 1* to 3, DIN 43653, 170M

1250 V a.c. (IEC), 1300 V a.c. (UL), 50 to 1400 A

Fuse link body size	Rated voltage	Rated current (Amps)	I ² t (A ² Sec)			Watts loss (W)	Catalogue numbers				
			Pre-arcing	Clearing at 1000 V a.c.	Clearing at 1250 V a.c.		-/110 Visual indicator	-TN/110 Type T indicator for micro	-KN/110 Type K indicator for micro		
1*	1250 V a.c. (IEC)	50	135	815	1100	15	170M3138	170M3188	170M3238		
		63	215	1300	1750	20	170M3139	170M3189	170M3239		
		80	420	2500	3350	25	170M3140	170M3190	170M3240		
		100	750	4450	5950	30	170M3141	170M3191	170M3241		
		125	1450	9000	11,500	35	170M3142	170M3192	170M3242		
		160	2600	16,000	21,000	40	170M3143	170M3193	170M3243		
	1300 V a.c. (UL)	200	5150	31,000	41,000	45	170M3144	170M3194	170M3244		
		250	9200	54,500	73,000	55	170M3145	170M3195	170M3245		
		315	18,500	115,000	150,000	60	170M3146	170M3196	170M3246		
		350	27,000	165,000	220,000	65	170M3147	170M3197	170M3247		
		400	53,000	265,000	335,000	70	170M3148	170M3198	170M3248		
		1	1250 V a.c. (IEC)	160	1900	11,500	15,500	45	170M4138	170M4188	170M4238
200	3800			22,500	30,000	50	170M4139	170M4189	170M4239		
250	7750			46,000	61,500	60	170M4140	170M4190	170M4240		
315	15,000			90,000	120,000	65	170M4141	170M4191	170M4241		
350	20,000			125,000	165,000	70	170M4142	170M4192	170M4242		
400	29,500			175,000	235,000	75	170M4143	170M4193	170M4243		
1300 V a.c. (UL)	450		42,000	250,000	335,000	80	170M4144	170M4194	170M4244		
	500		69,500	340,000	435,000	85	170M4145	170M4195	170M4245		
	550		95,000	465,000	590,000	95	170M4146	170M4196	170M4246		
	1100 V a.c. (IEC)		630	130,000	660,000	N/A	100	170M4147 ¹	170M4197 ¹	170M4247 ¹	
	2		1250 V a.c. (IEC)	250	6500	38,500	51,500	65	170M5138	170M5188	170M5238
				280	9350	55,500	74,500	70	170M5139	170M5189	170M5239
315		13,000		77,500	105,000	75	170M5140	170M5190	170M5240		
350		16,500		97,500	135,000	80	170M5141	170M5191	170M5241		
400		23,000		140,000	180,000	85	170M5142	170M5192	170M5242		
450		34,000		205,000	270,000	90	170M5143	170M5193	170M5243		
1300 V a.c. (UL)		500	48,000	285,000	380,000	95	170M5144	170M5194	170M5244		
		550	62,000	370,000	495,000	100	170M5145	170M5195	170M5245		
		630	115,000	575,000	730,000	120	170M5146	170M5196	170M5246		
		700	160,000	795,000	1,050,000	125	170M5147	170M5197	170M5247		
		800	245,000	1,200,000	1,550,000	130	170M5148	170M5198	170M5248		
		1100 V a.c. (IEC & UL)	900	360,000	1,750,000	N/A	135	170M5149	170M5199	170M5249	
1000	480,000	2,350,000	N/A	145	170M5150	170M5200	170M5250				
3	1300 V a.c. (UL)	315	9500	58,000	77,500	85	170M6138	170M6188	170M6238		
		350	13,500	81,500	110,000	90	170M6139	170M6189	170M6239		
		400	19,500	120,000	160,000	95	170M6140	170M6190	170M6240		
		450	31,000	185,000	245,000	100	170M6141	170M6191	170M6241		
		500	39,000	235,000	310,000	105	170M6142	170M6192	170M6242		
		550	55,000	325,000	435,000	110	170M6143	170M6193	170M6243		
		630	83,500	495,000	665,000	115	170M6144	170M6194	170M6244		
		700	115,000	705,000	940,000	120	170M6145	170M6195	170M6245		
		800	205,000	995,000	1,300,000	125	170M6146	170M6196	170M6246 ¹		
		900	305,000	1,500,000	1,900,000	130	170M6147	170M6197	170M6247 ¹		
		1000	450,000	2,150,000	2,750,000	135	170M6148	170M6198	170M6248 ¹		
		1100	575,000	2,800,000	3,600,000	160	170M6149	170M6199	170M6249 ¹		
	1100 V a.c. (IEC)	1250	810,000	3,950,000	N/A	170	170M6150 ¹	170M6200 ¹	170M6250 ¹		
		1400	1,250,000	6,000,000	N/A	175	170M6151 ¹	170M6201 ¹	170M6251 ¹		

¹ These fuse links are not UL recognised.

Size 1* to 3, Flush end contact, 170M 1000 V a.c. (IEC and UL), 50 to 1400 A

Specifications

Description

Square body flush end contact high speed fuse links, for the protection of DC common bus, DC drives, power converters/rectifiers and reduced rated voltage starters.

Technical data

Rated voltage:

- 1000 V a.c. (IEC, 50-1250 A),
- 1000 V a.c. (UL, 250-1100 A)
- 900 V a.c. (IEC, 1400 A

Rated current: 50-1400 A

Breaking capacity: 125kA RMS Sym.

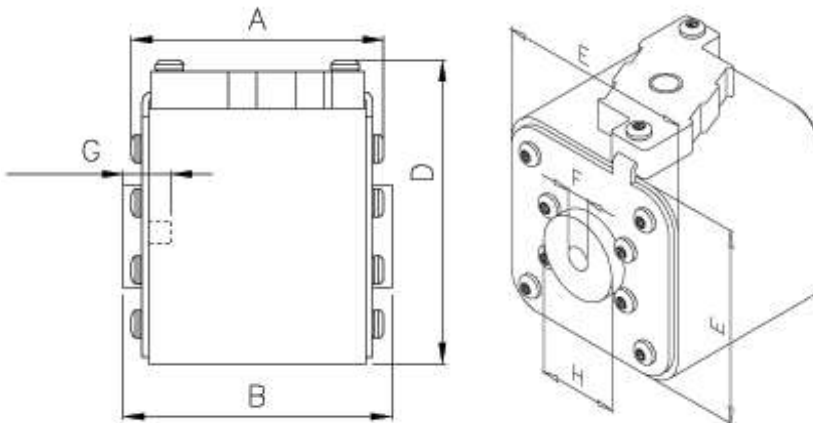
Operating class: aR

Standards / Agency information

CE, Designed and tested to IEC 60269 Part 4, UL Recognised for size 2 and 3 (only up to 1100 A).



Dimensions - mm



Type -BKN/- and -GKN/-

Size	Type	A	B	D (max)	E	F	F' (in)	G (min)	H
1*	BKN/75 + GKN/75	72.5	74	61	43	M8	5/16" 18 UNC-2B	5	17.5
1	BKN/75 + GKN/75	73.2	74	69	52	M8	5/16" 18 UNC-2B	8	20
2	BKN/75 + GKN/75	73.2	74.4	77	59	M10	3/8" 16 UNC-2B	10	24.5
3	BKN/75 + GKN/75	73.3	75.4	92	74	M12	1/2" 13 UNC-2B	10	30
3	BKN/90 + GKN/90	80.3	91.4	92	74	M12	1/2" 13 UNC-2B	10	30

¹ Valid for fuses type -GKN/-.

Size 1* to 3, Flush end contact, 170M

1000 V a.c. (IEC and UL), 50 to 1400 A

Fuse link body size	Rated voltage	Rated current (Amps)	I ² t (A ² Sec)		Watts loss (W)	Catalogue numbers		
			Pre-arcing	Clearing at rated voltage		-BKN/- Type K indicator for micro	-GKN/- Type K indicator for micro	
1*	1000 V a.c. (IEC)	50	135	815	20	170M3951	170M3921	
		63	215	1300	25	170M3952	170M3922	
		80	460	2750	30	170M3953	170M3923	
		100	860	5100	35	170M3954	170M3924	
		125	1450	8600	40	170M3955	170M3925	
		160	2850	17,500	45	170M3956	170M3926	
		200	4950	29,500	50	170M3957	170M3927	
		250	9550	57,000	55	170M3958	170M3928	
		315	21,500	130,000	65	170M3959	170M3929	
		350	29,000	175,000	70	170M3960	170M3930	
1	1000 V a.c. (IEC) 1000 V a.c. / 750 V d.c. (UL)	400	42,000	250,000	75	170M3961	170M3931	
		160	2200	13,500	40	170M4951	170M4921	
		200	4150	24,500	45	170M4952	170M4922	
		250	7750	46,000	52	170M4953	170M4923	
		315	16,500	98,500	60	170M4954	170M4924	
		350	21,500	130,000	65	170M4955	170M4925	
		400	31,000	185,000	70	170M4956	170M4926	
		450	44,500	265,000	80	170M4957	170M4927	
		500	63,000	375,000	85	170M4958	170M4928	
		550	84,500	500,000	90	170M4959	170M4929	
2	1000 V a.c. (IEC/UL)	630	125,000	755,000	98	170M4960	170M4930	
		250	6750	40,000	65	170M5952	170M5922	
		315	13,500	81,500	75	170M5953	170M5923	
		350	16,500	99,000	80	170M5954	170M5924	
		400	26,000	155,000	85	170M5955	170M5925	
		450	35,500	210,000	90	170M5956	170M5926	
		500	49,500	295,000	95	170M5957	170M5927	
		550	66,000	390,000	100	170M5958	170M5928	
		630	93,500	555,000	110	170M5959	170M5929	
		700	130,000	770,000	115	170M5960	170M5930	
3	1000 V a.c. (IEC/UL)	800	195,000	1,200,000	125	170M5961	170M5931	
		315	9200	54,500	90	170M8600	170M8500	
		350	13,000	77,500	95	170M8601	170M8501	
		400	19,000	115,000	105	170M8602	170M8502	
		450	27,000	160,000	107	170M8603	170M8503	
		500	37,500	225,000	110	170M8604	170M8504	
		550	52,000	310,000	115	170M8605	170M8505	
		630	82,500	490,000	120	170M8606	170M8506	
		700	115,000	700,000	125	170M8607	170M8507	
		800	170,000	1,050,000	135	170M8608	170M8508	
3	1000 V a.c. (IEC)	900	250,000	1,500,000	145	170M8609	170M8509	
		1000	340,000	2,050,000	150	170M8610	170M8510	
		1100	460,000	2,750,000	155	170M8611	170M8511	
		1250	575,000	3,400,000	175	170M8612 ¹	170M8512 ¹	
		900 V a.c. (IEC)	1400	795,000	4,200,000	185	170M8613 ¹	170M8513 ¹

¹ Overall length is 90 mm, for all other fuse links the overall length is 75 mm.

Size 1* to 3, DIN 43653, 170M

1000 V a.c. (IEC and UL), 50 to 1400 A

Specifications

Description

Square body DIN 43653 bolted tags high speed fuse links, for the protection of DC common bus, DC drives, power converters / rectifiers and reduced rated voltage starters.

Technical data

Rated voltage:

- 1000 V a.c. (IEC, 50-1250 A), 900 V a.c. (IEC, 1400 A)
- 1000 V a.c. (UL size 2, size 3, 315-1100 A only)

Rated current: 50-1400 A

Breaking Capacity: 125kA RMS Sym.

Operating Class: aR

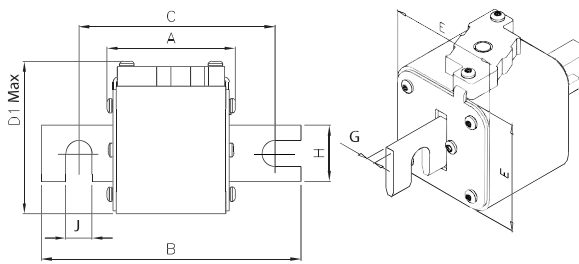
Standards/Agency Information

CE, Designed and tested to IEC60269 Part 4, UL Recognised (only sizes 2 & 3)

CCC only size 3 (315-1100 A)

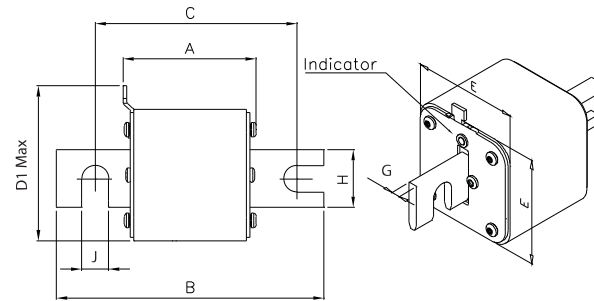


Dimensions - mm



Type -KN/110

Size	A	B	C	D1 (max)	E	G	H	J
1*KN/110	80	138	108	61	43	6	22	11
1KN/110	80	138	108	69	51	6	25	11
2KN/110	80	138	108	77	59	6	25	11
3KN/110	81	139	108	92	74	6	30	11



Type -TN/110

Size	A	B	C	D1 (max)	E	G	H	J
1*TN/110	80	138	108	61	43	6	22	11
1TN/110	80	138	108	69	51	6	25	11
2TN/110	80	138	108	75	59	6	25	11
3TN/110	81	139	108	90	74	6	30	11

Data sheets: 170K8564 (Size 1*), 170K8566 (Size 1), 170K8568 (Size 2), 170K8570 (Size 3)

Size 1* to 3, DIN 43653, 170M

1000 V a.c. (IEC and UL), 50 to 1400 A

Fuse link body size	Rated voltage	Rated current (Amps)	I ² t (A ² Sec)		Watts loss (W)	Catalogue numbers		
			Pre-arcing	Clearing at rated voltage		-KN/110 Type K indicator for micro	-TN/110 Type T indicator for micro	
1*	1000 V a.c. (IEC)	50	135	815	20	170M3965	170M3981	
		63	215	1300	25	170M3966	170M3982	
		80	460	2750	30	170M3967	170M3983	
		100	860	5100	35	170M3968	170M3984	
		125	1450	8600	40	170M3969	170M3985	
		160	2850	17,500	45	170M3970	170M3986	
		200	4950	29,500	50	170M3971	170M3987	
		250	9550	57,000	55	170M3972	170M3988	
		315	21,500	130,000	65	170M3973	170M3989	
		350	29,000	175,000	70	170M3974	170M3990	
1	1000 V a.c. (IEC)	160	2200	13,500	40	170M4965	170M4980	
		200	4150	24,500	45	170M4966	170M4981	
		250	7750	46,000	52	170M4967	170M4982	
		315	16,500	98,500	60	170M4968	170M4983	
		350	21,500	130,000	65	170M4969	170M4984	
	1000 V a.c. / 750 V d.c. (UL)	400	31,000	185,000	70	170M4970	170M4985	
		450	44,500	265,000	80	170M4971	170M4986	
		500	63,000	375,000	85	170M4972	170M4987	
		550	84,500	500,000	90	170M4973	170M4988	
		630	125,000	755,000	98	170M4974	170M4989	
2	1000 V a.c. (IEC and UL)	250	6750	40,000	65	170M5966	170M5981	
		315	13,500	81,500	75	170M5967	170M5982	
		350	16,500	99,000	80	170M5968	170M5983	
		400	26,000	155,000	85	170M5969	170M5984	
		450	35,500	210,000	90	170M5970	170M5985	
		500	49,500	295,000	95	170M5971	170M5986	
		550	66,000	390,000	100	170M5972	170M5987	
		630	93,500	555,000	110	170M5973	170M5988	
		700	130,000	770,000	115	170M5974	170M5989	
		800	195,000	1,200,000	125	170M5975	170M5990	
3	1000 V a.c. (IEC and UL)	315	9200	54,500	90	170M8614	170M8629	
		350	13,000	77,500	95	170M8615	170M8630	
		400	19,000	115,000	105	170M8616	170M8631	
		450	27,000	160,000	107	170M8617	170M8632	
		500	37,500	225,000	110	170M8618	170M8633	
		550	52,000	310,000	115	170M8619	170M8634	
		630	82,500	490,000	120	170M8620	170M8635	
		700	115,000	700,000	125	170M8621	170M8636	
		800	170,000	1,050,000	135	170M8622	170M8637	
		900	250,000	1,500,000	145	170M8623	170M8638	
		1000	340,000	2,050,000	150	170M8624	170M8639	
		1100	460,000	2,750,000	155	170M8625	170M8640	
		1000 V a.c. (IEC)	1250	575,000	3,400,000	175	170M8626	170M8641
		900 V a.c. (IEC)	1400	795,000	4,200,000	185	170M8627	170M8642

Data sheets: 170K8564 (Size 1*), 170K8566 (Size 1), 170K8568 (Size 2), 170K8570 (Size 3)